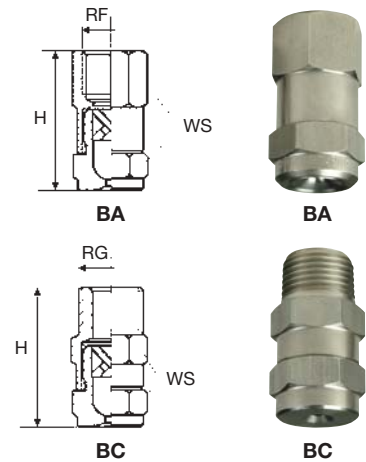


**FULL CONE NOZZLES**

**BA/BC**

**X-VANE / ROUND SPRAY / THREE PIECES**

These full cone nozzles offer a three-piece design based on the clog resistant X-vane design plus the convenience of an easy and fast internal cleaning since they can be easily disassembled for maintenance. The nipple design avoids losing the vane when the nozzle is mounted spraying upwards. Available with female (BA) or male (BC) inlet thread nipple, see dimensions and weights at the bottom the page.



**Materials**  
 B1 AISI 303 Stainless steel  
 B3 AISI 316 Stainless steel on request  
 T1 Brass

*Standard spray*

BAQ	BCQ	Code	RF RG	D	D1	Capacity at different pressure values (lpm)							Spray angle (degrees) at pressure (bar)		
						inch	mm	mm	0.7	1.0	2.0	3.0	5.0	7.0	10
•	•	0740	1/8	1.0	0.5	0.36	0.43	0.60	0.74	0.93	1.13	1.35	--	58	53
•	•	1110		1.2	0.5	0.53	0.64	0.90	1.10	1.42	1.68	2.01	51	65	60
•	•	1150		1.4	1.0	0.72	0.87	1.22	1.50	1.94	2.29	2.74	43	59	46
•	•	1220		1.6	1.0	1.06	1.27	1.80	2.20	2.84	3.36	4.02	50	65	60
•	•	1260		1.6	1.3	1.26	1.50	2.12	2.60	3.36	3.97	4.75	43	48	45
•	•	1370		2.0	1.3	1.79	2.14	3.02	3.70	4.78	5.70	6.76	50	65	58
•	•	1480	1/4	2.4	1.7	2.32	2.77	3.92	4.80	6.20	7.30	8.76	45	50	45
•	•	1740		2.9	1.7	3.57	4.27	6.04	7.40	9.60	11.3	13.5	55	65	60
•	•	1930		3.2	1.7	4.46	5.34	7.61	9.30	12.0	14.2	16.9	68	70	67
•	•	1700	3/8	3.0	2.0	3.38	4.04	5.71	7.00	9.03	10.7	12.7	45	50	45
•	•	2111		3.4	2.4	5.36	6.40	9.10	11.1	14.3	17.0	20.3	65	68	60
•	•	2163		4.5	2.4	7.87	9.40	13.3	16.3	21.0	24.9	29.8	85	90	80
•	•	2118	1/2	3.4	3.0	5.70	6.80	9.60	11.8	15.2	18.0	21.5	50	50	45
•	•	2185		4.4	3.0	8.94	10.7	15.1	18.5	23.9	28.3	33.8	65	68	60
•	•	2240		5.0	3.0	11.6	13.9	19.6	24.0	31.0	36.7	43.8	70	75	65
•	•	2300		5.6	3.0	14.5	17.3	24.5	30.0	38.7	45.8	54.8	90	92	85

*Wide spray*

BAW	BCW	Code	RF/RG	D	D1	0.7	1.0	2.0	3.0	5.0	7.0	10	0.7	1.5	5.0
•	•	1200	1/8	1.5	1.0	0.97	1.15	1.63	2.00	2.58	3.06	3.65	120	115	104
•	•	1310		1.8	1.0	1.50	1.79	2.53	3.10	4.00	4.74	5.66	120	110	104
•	•	1400		2.3	1.0	1.93	2.31	3.27	4.00	5.16	6.11	7.30	120	110	104
•	•	1570		2.5	1.1	2.75	3.29	4.65	5.70	7.36	8.71	10.4	120	110	104
•	•	1720	1/4	3.3	1.7	3.48	4.16	5.88	7.20	9.30	11.0	13.1	120	110	105
•	•	1860		3.4	1.3	4.15	4.97	7.02	8.60	11.1	13.1	15.7	120	110	105
•	•	2100		3.6	1.6	4.83	5.77	8.16	10.0	12.9	15.3	18.3	120	110	105
•	•	2122	3/8	3.9	1.6	5.89	7.04	9.96	12.2	15.8	18.6	22.3	120	110	105
•	•	2144		4.3	2.4	6.96	8.30	11.8	14.4	18.6	22.0	26.3	120	110	105
•	•	2172		4.9	2.4	8.31	9.90	14.0	17.2	22.2	26.3	31.4	120	110	105
•	•	2194		5.3	2.5	9.37	11.2	15.8	19.4	25.0	29.6	35.4	120	110	105
•	•	2220	1/2	5.0	3.0	10.6	12.7	18.0	22.0	28.4	33.6	40.2	120	115	110
•	•	2250		5.3	3.0	12.1	14.4	20.4	25.0	32.3	38.2	45.6	120	115	110
•	•	2290		5.6	3.0	14.0	16.7	23.7	29.0	37.4	44.3	52.9	120	115	110
•	•	2320		6.7	3.5	15.5	18.5	26.1	32.0	41.3	48.9	58.4	120	115	110
•	•	2360		7.6	4.0	17.4	20.8	29.4	36.0	46.5	55.0	65.7	120	115	110

*Dimensions and weights*

Nozzle Type	RF/RG	H	WS	W
	inch	mm	mm	kg

Nozzle Type	RF/RG	H	WS	W
	inch	mm	mm	kg

BA/BB	1/8	30	14	0.03
	1/4	37	17	0.04
	3/8	46	19	0.07
	1/2	57	25	0.20

BC/BD	1/8	32	14	0.02
	1/4	39	17	0.04
	3/8	47	19	0.07
	1/2	57	25	0.20