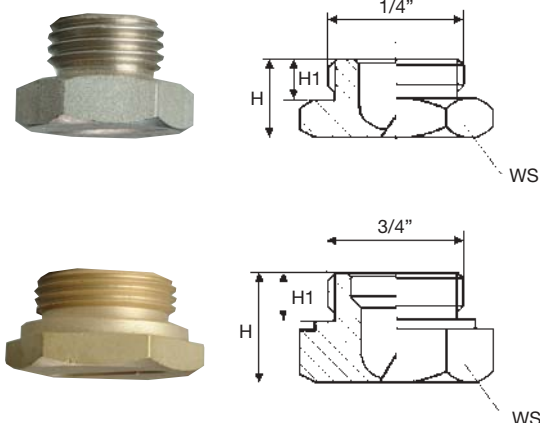


## FLAT JET NOZZLES

### GA



#### SHORT BODY

GA type nozzles deliver a flat jet spray with parabolic distribution pattern, which allows for obtaining an even distribution when several nozzles are assembled in a row onto a manifold. Their short body design makes it possible to use nozzle spray pipes in such machines or systems where the available space is very limited. GA nozzles are manufactured in two different capacity ranges out of brass or 303 stainless steel, and on request from a choice of additional metallic and plastic materials. Because of their limited length these nozzles can only be produced with a straight BSP thread, and require some extra care when being assembled to get the proper flat jet alignment. Also note the different dimensions given in the table below for nozzles manufactured out of plastic materials.

Materials	B1	AISI 303 Stainless steel
	B31	AISI 316L Stainless steel
	D1	PVC
	E1	PTFE, Teflon
	T1	Brass

#### 1/4" BSP Thread

GAM 45°	GAQ 60°	GAU 90°	GAW 120°	Code	D mm	Capacity at different pressure values (lpm) (bar)									
						0.5	1.0	1.5	2.0	3.0	4.0	5.0	7.0	10	
	•	•	•	1310	2.0	1.27	1.79	2.19	2.53	3.10	3.58	4.00	4.74	5.66	
	•	•	•	1385	2.2	1.57	2.22	2.72	3.14	3.85	4.45	4.97	5.88	7.03	
•	•	•	•	1490	2.5	2.00	2.83	3.46	4.00	4.90	5.66	6.33	7.48	8.95	
	•	•	•	1780	3.0	3.18	4.50	5.52	6.37	7.80	9.01	10.1	11.9	14.2	
•	•	•	•	2124	4.0	5.06	7.16	8.77	10.1	12.4	14.3	16.0	18.9	22.6	
•	•	•	•	2153	4.2	6.25	8.83	10.8	12.5	15.3	17.7	19.8	23.4	27.9	
•	•	•	•	2194	5.0	7.92	11.2	13.7	15.8	19.4	22.4	25.0	29.6	35.4	

#### 3/4" BSP Thread

GAM 45°	GAQ 60°	GAU 90°	GAW 120°	Code	D mm	Capacity at different pressure values (lpm) (bar)									
						0.5	1.0	1.5	2.0	3.0	4.0	5.0	7.0	10	
	•	•	•	2195	5.0	7.96	11.3	13.8	15.9	19.5	22.5	25.2	29.8	35.6	
	•	•	•	2246	5.5	10.0	14.1	17.3	20.0	24.5	28.3	31.6	37.4	44.7	
	•	•	•	2311	6.0	12.7	17.9	21.9	25.3	31.0	35.8	40.0	47.4	56.6	
•	•	•	•	2490	8.0	20.0	28.2	34.6	40.0	49.0	56.6	63.3	74.8	89.5	
	•	•	•	2610	9.0	24.9	35.2	43.1	49.8	61.0	70.4	78.8	93.2	111	
•	•	•	•	2760	10.0	31.0	43.8	53.7	62.1	76.0	87.8	98.1	116	139	

#### Dimensions of plastic nozzles

GA nozzles made out of plastic materials, have lower material strength and therefore different dimensions with a longer thread and a stronger front hexagon are utilized.



Dimensions mm	Small size			Large size		
	H	H1	WS	H	H1	WS
AISI 303	12	7	17	15	8	32
AISI 316L						
BRASS						
POLYPROPYLENE	17	7	17	23	11	32
PTFE						
PVC						