

## HOLLOW CONE NOZZLES

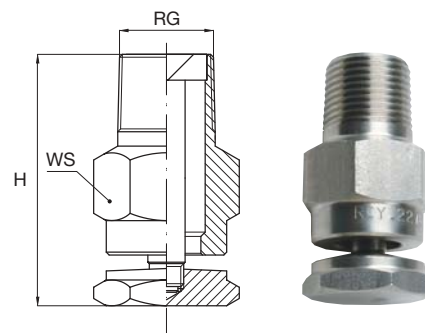
RC

## IN LINE SPRAY

RC type nozzles produce a hollow cone spray pattern, in line with the nozzle inlet pipe.

The spray is produced by deflection of the water flow against a fixed plate in front of the nozzle orifice, which allows at the same time to obtain an high efficiency, small drop size and very wide spray angles.

Materials      B1      AISI 303 Stainless steel  
                   T1      Brass



Spray Angle	1/4"	3/8"	Code	Capacity at different pressure values								Dimensions mm	
				0.5	0.7	1.0	2.0	3.0	5.0	7.0	10	H	WS
150°	•		RCY 1780 xx			4.50	6.37	7.80	10.1	11.9	14.2	33	17
			RCY 2117 xx		5.70	6.81	9.63	11.8	15.2	18.0	21.5		
			RCY 2157 xx		7.58	9.06	12.8	15.7	20.3	24.0	28.7		
			RCY 2196 xx		9.42	11.3	15.9	19.5	25.2	29.8	35.6		
	•	•	RCY 2230 xx	9.39	11.1	13.3	18.8	23.0	29.7	35.1	42.0	44	22
			RCY 2270 xx	11.0	13.0	15.6	22.0	27.0	34.9	41.2	49.3		
180°	•		RCZ 1780 xx			4.50	6.37	7.80	10.1	11.9	14.2	33	17
			RCZ 2117 xx		5.70	6.81	9.63	11.8	15.2	18.0	21.5		
			RCZ 2157 xx		7.58	9.06	12.8	15.7	20.3	24.0	28.7		
			RCZ 2196 xx		9.42	11.3	15.9	19.5	25.2	29.8	35.6		
	•	•	RCZ 2230 xx	9.39	11.1	13.3	18.8	23.0	29.7	35.1	42.0	44	22
			RCZ 2270 xx	11.0	13.0	15.6	22.0	27.0	34.9	41.2	49.3		
Common applications	RC series hollow cone nozzles are used mainly for air washing, dust suppression and cooling processes.												
	The accessories shown below can be used for their protection against clogging, or for an appropriate assembly.												
	Please see our accessories Catalogue CTG AC20.												
	Assembly fittings												

## Common applications

RC series hollow cone nozzles are used mainly for air washing, dust suppression and cooling processes.

The accessories shown below can be used for their protection against clogging, or for an appropriate assembly.

Please see our accessories Catalogue CTG AC20.

## Assembly fittings



VEM



ZRP



ZPM